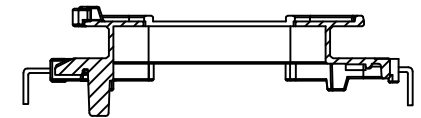
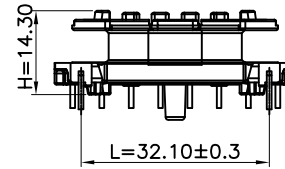
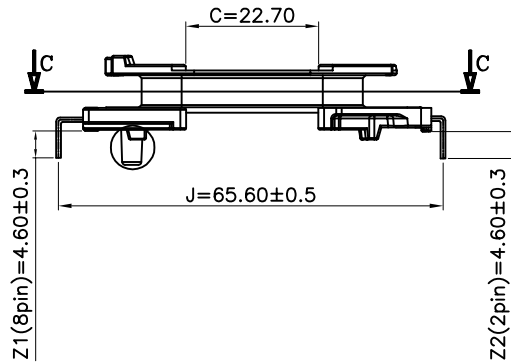
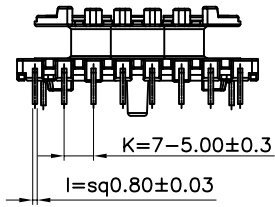
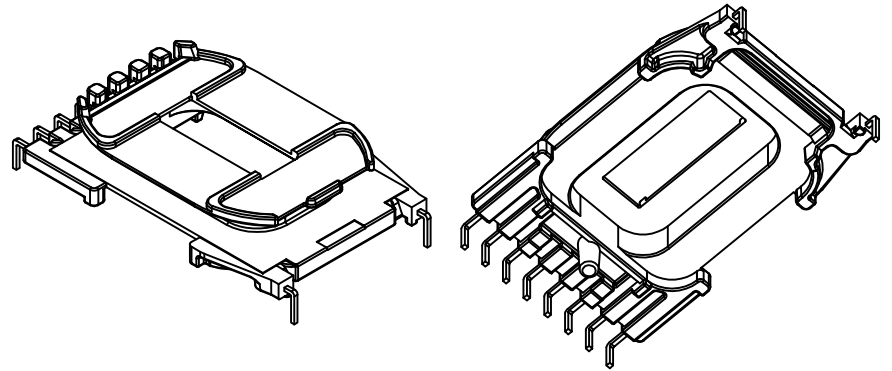
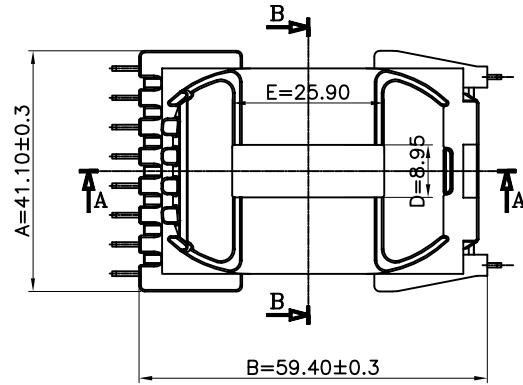
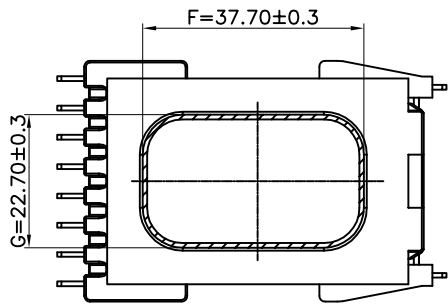


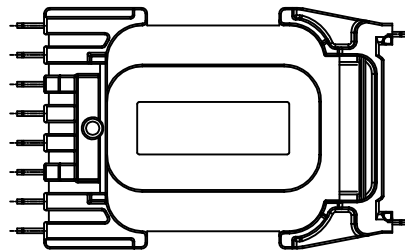
SECTION B-B



SECTION A-A



SECTION C-C



△							
△							
△							
△							
MARK	REVISION NOTE			DATE	DRAWN	CHECKED	APPROVED
	DRAWN	CHECKED	APPROVED	MATERIAL : PHENOL	UL REC. : UL94V-0	THIRD ANGLE PROJ.	SCALE : 1/1
	K M, Seo	S H, Kim	C, Park	Z : PIN LENGTH (According to customer's request)	DATE : 2016.06.29	TOLERANCE : ±0.2 (Unless otherwise specified)	UNIT : m/m
	주식회사 대흥보빈 DAE HEUNG BOBBIN CO., LTD			TITLE EE 42*13 "V" (10P) (B-2)		DWG NO DH-161024-3077-18	